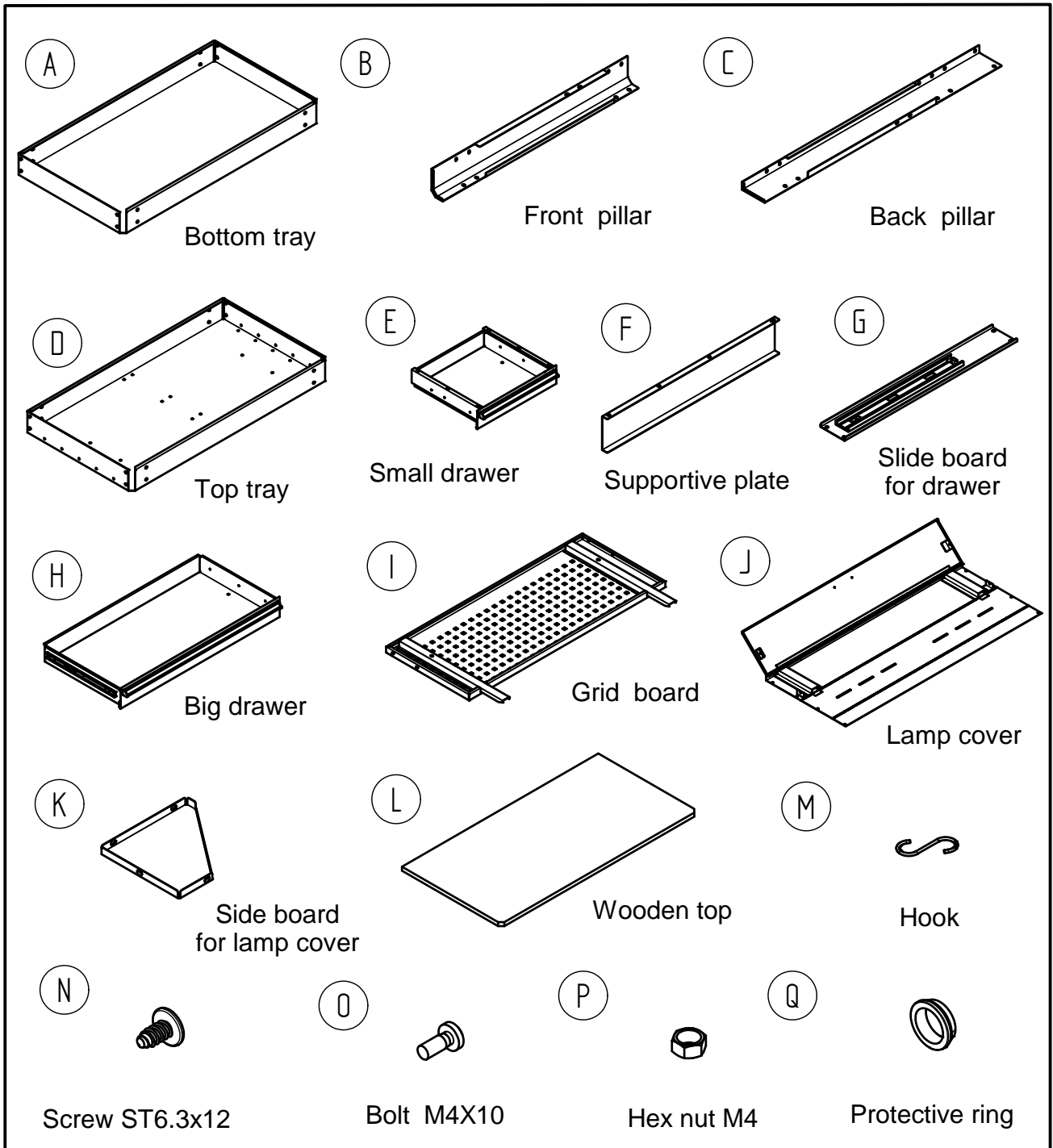


# TSA4524C ASSEMBLY INSTRUCTIONS

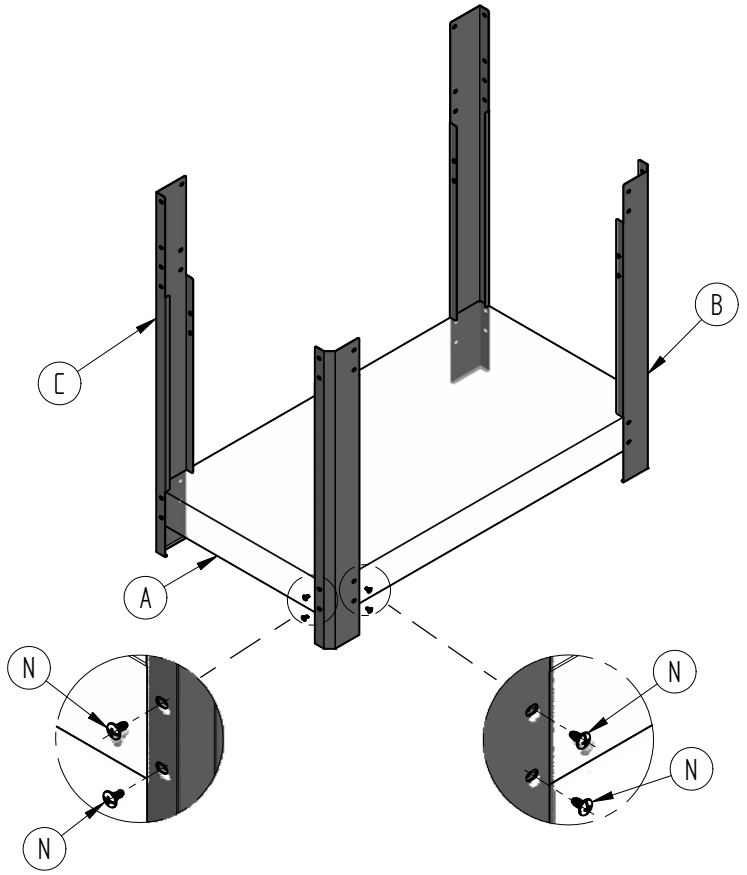
## PARTS LIST :



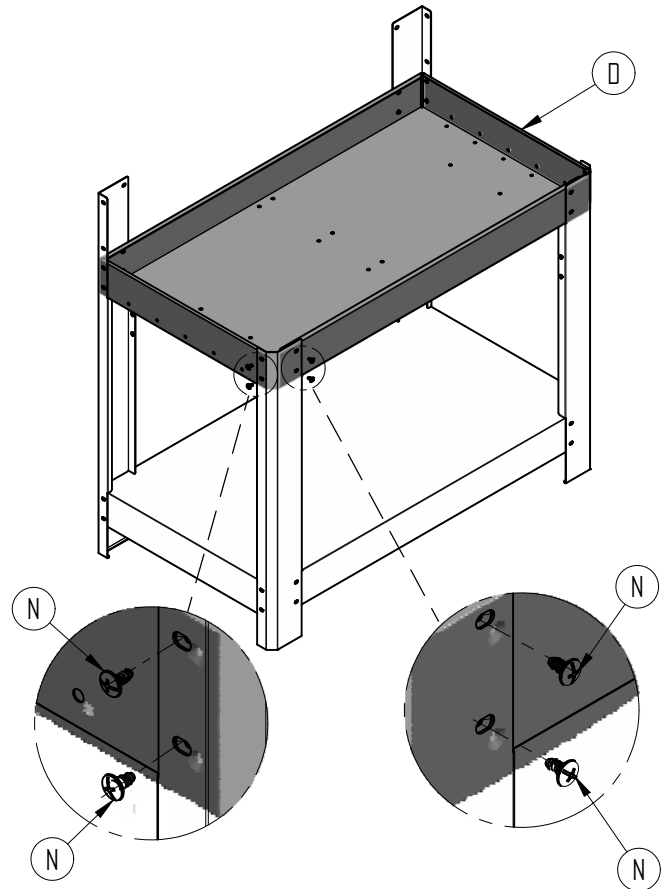
Item	Description	Q'ty	Item	Description	Q'ty	Item	Description	Q'ty
A	Bottom tray	1	G	Slide board for drawer	2	M	Hook	5
B	Front pillar	2	H	Big drawer	1	N	Screw ST6.3x12	68+2
C	Back pillar	2	I	Grid board	1	O	Bolt M4X10	2
D	Top tray	1	J	Lamp cover	1	P	Hex nut M4	2
E	Small drawer	2	K	Side board for lamp cover	2	Q	Protective ring	3
F	Supportive plate	2	L	Wooden top	1			

During assembly do not tighten bolts until all components are aligned properly, then tighten fully.

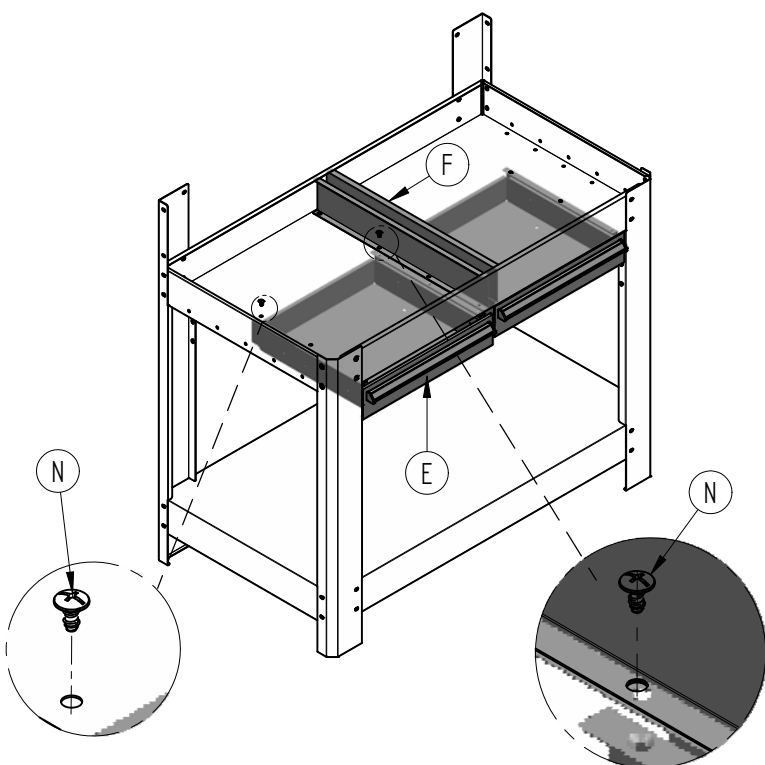
### Step1



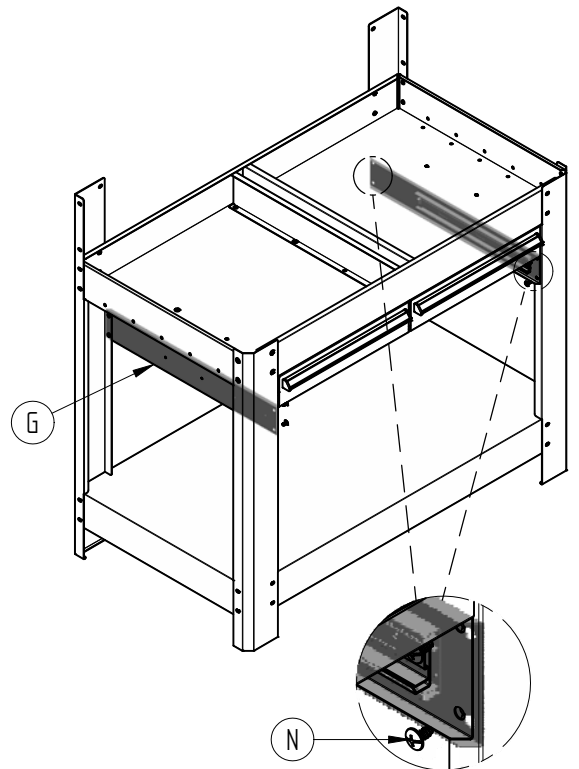
### Step2



### Step3

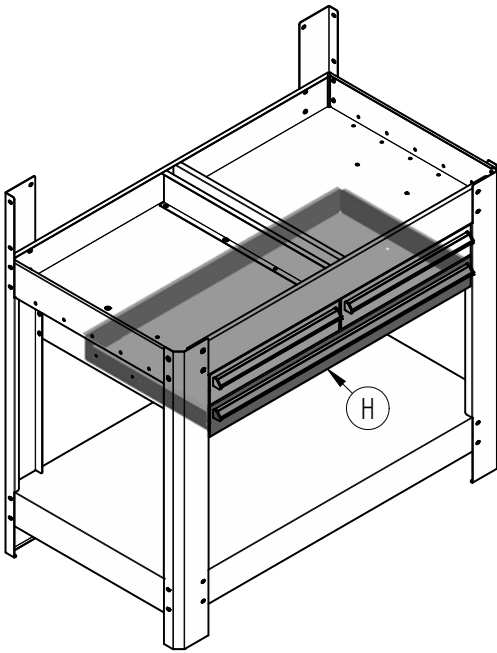


### Step4

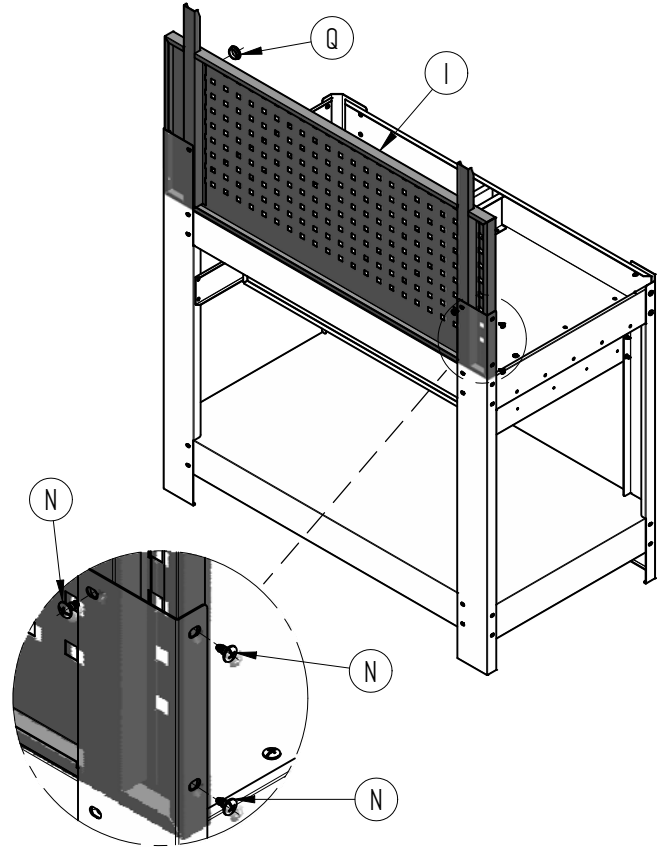


During assembly do not tighten bolts until all components are aligned properly, then tighten fully.

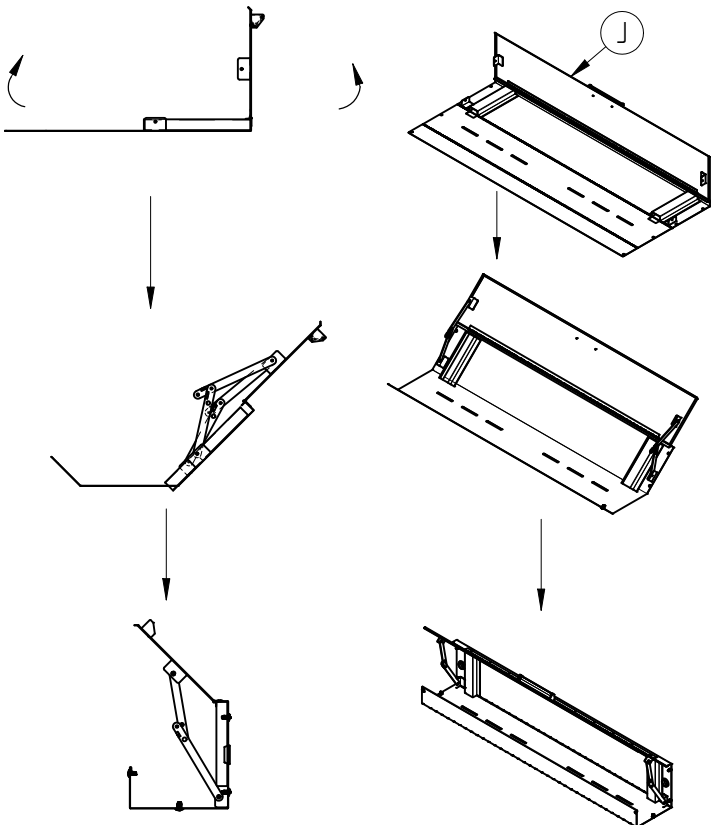
### Step5



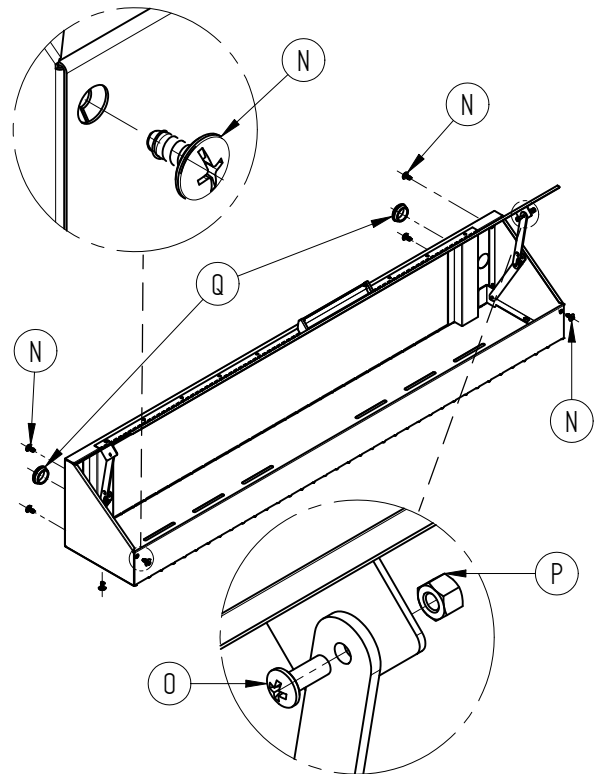
### Step6



### Step7



### Step8



During assembly do not tighten bolts until all components are aligned properly, then tighten fully.

Step9

